

Application	Interrupted	Uninterrupted
Thermal Current Rating (¹ th)	✓	150A
Intermittent Current Rating:		
30% Duty	✓	275A
40% Duty	✓	235A
50% Duty	✓	210A
60% Duty	✓	195A
70% Duty	✓	180A
Rated Fault Current Breaking Capacity (¹ cn) 5ms Time Constant: (in accordance with UL583*)	✓	
SW182	✓	1000A at 48V
SW182B	✓	1000A at 96V
Maximum Recommended Contact Voltages (U _g):		
SW182	✓	48V D.C.
SW182B	✓	96V D.C.
Typical Voltage Drop per pole across New Contacts at 150A:		
Normally Open	✓	30mV
Normally Closed	✓	40mV
Mechanical Durability	✓	>5 x 10 ⁶
Coil Voltage Available (U _s) (Rectifier board required for A.C.)	✓	From 6 to 240V D.C.
Coil Power Dissipation:		
Highly Intermittent Rated Types	✓	40 - 50 Watts
Intermittently Rated types	✓	30 - 40 Watts
Prolonged Rated Types	✓	15 - 30 Watts
Continuously Rated Types	✓	10 - 15 Watts
Maximum Pull-In Voltage (Coil at 20° C) Guideline:		
Highly Intermittent Rated types (Max 25% Duty Cycle)	✓	60% U _s
Intermittently Rated types (Max 70% Duty Cycle)	✓	60% U _s
Prolonged Operation (Max 90% Duty Cycle)	✓	60% U _s
Continuously Rated Types (100% Duty Cycle)	✓	66% U _s
Drop-Out Voltage Range	✓	10 - 25% U _s
Typical Pull-In Time (N/O Contacts to Close):	✓	30ms
Typical Drop-Out Time (N/O Contacts to Open):		
Without Suppression	✓	8ms
With Diode Suppression	✓	60ms
With Diode and Resistor (Subject to resistance value)	✓	25ms
Main Contact Change over time (milliseconds):		
Normally Closed to Normally Open	✓	12ms
Normally Open to Normally Closed	✓	5ms
Typical Contact Bounce Period	✓	3ms
Operating Ambient Temperature	✓	- 40° C to + 60° C
Guideline Contactor Weight:		
SW182	✓	1680 gms
With Auxiliary	✓	+ 40 gms
With Blowouts	✓	+ 100 gms

Auxiliary Details	
Auxiliary Thermal Current Rating	5A
Auxiliary Contact Switching Capabilities (Resistive Load):	
SW182C	SW182A
5A at 24V D.C.	
2A at 48V D.C.	
0.5A at 240V D.C.	

Advised Connection Sizes for Maximum Continuous Current

Cable: Rated suitable for Application

Key: ▶ = Interrupted ▶ = Uninterrupted

Note: Where applicable values shown are at 20° C

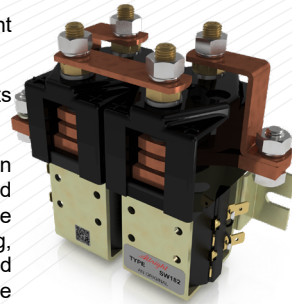
* Please check our web site for product UL status

- Performance data provided should be used as a guide only. Some de-rating/variation from figures may be necessary according to application.
- Thermal current ratings stated are dependant upon size of conductor used.
- For further technical advice email: technical@albrightinternational.com
- Albright reserve the right to change data without prior notice.

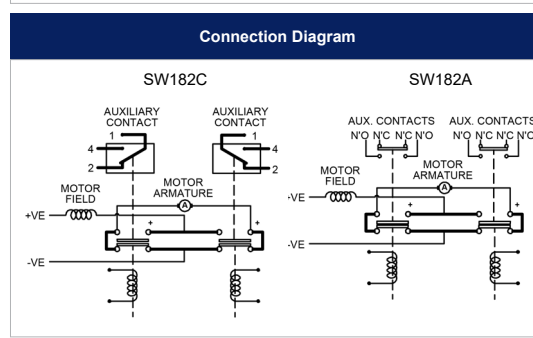
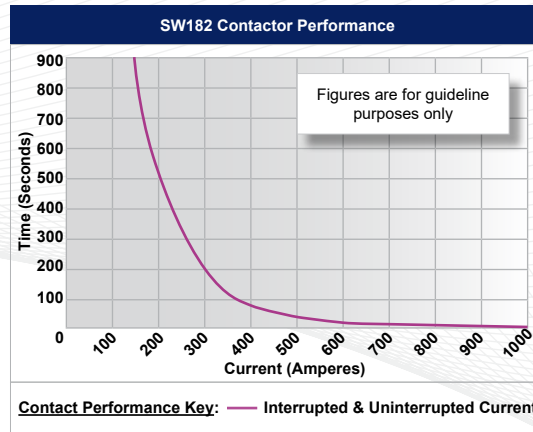
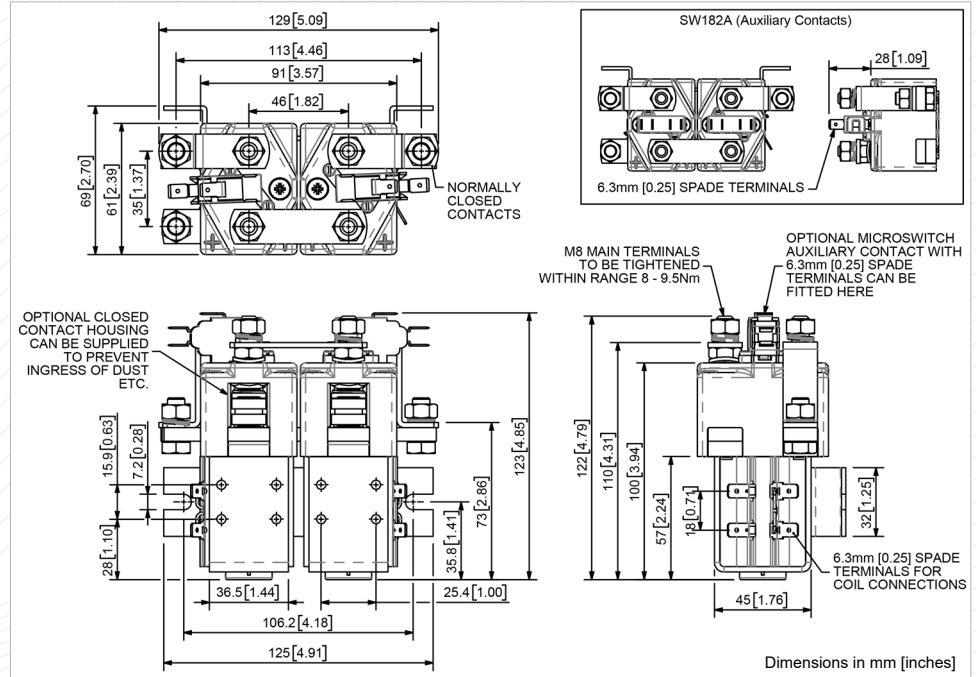
The SW182 has been designed for direct current loads, including motors as used on electric vehicles such as industrial trucks. Developed for both interrupted and uninterrupted loads, the SW182 is suitable for switching Resistive, Capacitive and Inductive loads.

- Interrupted** current - opening and closing on load with frequent switching (results in increased contact resistance).
- Uninterrupted** current - no or infrequent load switching requirements (maintains a lower contact resistance).

The SW182 features single pole double throw, double breaking main contacts with silver alloy tips, which are weld resistant, hard wearing and have excellent conductivity. It has M8 stud main terminals and 6.3mm spade coil connections. The main contact circuit, designed for motor reversing, is such that it has a built in fail safe, so that if both coils are energised simultaneously the contact arrangement is open circuits. Mounting is via the supplied bracket. Mounting can be horizontal or vertical, when vertical the M8 contact studs should point upwards. If the requirement is for downwards orientation we can adjust the contactor to compensate for this. Note Normally Closed contacts are not recommended to make and break load.



SW182



SW182 Available Options		
General		Suffix
Auxiliary Contacts	○	A
Auxiliary Contacts - V3	○	C
Magnetic Blowouts†	○	B
Magnetic Blowouts - High Powered†	○	B
Armature Cap	●	
Mounting Brackets (See Stud Contactor Series Catalogue)	●	
Magnetic Latching† (Not fail safe)	○	M
Dust Shields‡	○	
Environmentally Protected IP66	X	
EE Type (Steel Shroud)	X	
Contacts		
Large Tips	○	L
Textured Tips	○	T
Silver Plating	X	
Coil		
AC Rectifier Board (Fitted)	○	
Coil Suppression†	○	
Flying Leads	○	F
Manual Override Operation	X	
M4 Stud Terminals	X	
M5 Terminal Board	○	
Vacuum Impregnation	○	
Key: Optional ○ Standard ● Not Available X		
† Connections become polarity sensitive		
‡ Open Housing Available		