

The innovative SBX[®] connectors provide cost-effective reliability, design flexibility and safety for your products' manufacture, installation and maintenance.

APP's 2 pole connector is available with a 350 amp rating, 600 Volts continuous AC or DC operation. There are SBX[®] connectors for many applications and wire sizes, 2/0 to 300 mcm (67.4 mcm to 152 mm). Mechanical keys ensure connectors will only mate with connectors of the same color. Different color housings are selected to identify voltages, thus preventing mismatching of the power supply system.

FEATURES

- Mechanical keyed housings**
Prevents accidental mating of components operating at different voltage levels
- Auxiliary contacts**
Provides ability to incorporate a secondary sensor control circuit
- Optional mechanical release**
Aids mating and unmating for high cycle battery charging



PRODUCT SPECIFICATIONS

Connector Model	SBX [®] 350	Connector Model	SBX [®] 350
UL Current Rating (Amperes)*	350*	Life	
UL Voltage Ratings (Volts)	600*	a. No load (Contact/Disconnect Cycles)	To 10,000
Contact Barrel Wire Size (AWG) (mm ²)	2/0 to 300 mcm 67.4 to 152	b. Under Load (Hot Plug (250 cycles @ 120V)	100A
Maximum Wire Insulation Diameter (inches) (mm)	1.10 27.9	Avg. Connection/Disconnect (lbf)	30
AVG Contact Resistance* (micro-ohms)	50	Operating Temperature Range °C** °F	-20° to 105° -4° to 221°
Insulation Withstanding Test Voltage (Volts AC/DC)	2200	Flammability Rating of Housing Material	UL94 V-0
Contact Retention Force (lbf)	500		



* UL Rated for 65°C largest wire or cable size

** Contact factory for higher temperature rated connector

ORDERING INFORMATION

2 Pole Housing, 350 amp Contacts, & Auxiliary Contacts

Part Number	Housing Color	Wire AWG	Wire sq. mm
6340G1	Gray	2/0	67.4
6340G2	Gray	3/0	85.0
6340G3	Gray	4/0	107.2
6340G5	Gray	300mcm	152.0
6341G1	Blue	2/0	67.4
6341G2	Blue	3/0	85.0
6341G3	Blue	4/0	107.2
6341G5	Blue	300mcm	152.0
6342G1	Red	2/0	67.4
6342G2	Red	3/0	85.0
6342G3	Red	4/0	107.2
6342G5	Red	300mcm	152.0
6343G1	Green	2/0	67.4
6343G2	Green	3/0	85.0
6343G3	Green	4/0	107.2

2 pole housing, 350 amp contacts, & auxiliary contacts continued

Part Number	Housing Color	Wire AWG	Wire sq. mm
6343G5	Green	300mcm	152.0
6359G1	Black	2/0	67.4
6359G2	Black	3/0	85.0
6359G3	Black	4/0	107.2
6359G5	Black	300mcm	152.0
6360G1	Yellow	2/0	67.4
6360G2	Yellow	3/0	85.0
6360G3	Yellow	4/0	107.2
6360G5	Yellow	300mcm	152.0
6368G1	Orange	2/0	67.4
6368G2	Orange	3/0	85.0
6368G3	Orange	4/0	107.2
6368G5	Orange	300mcm	152.0

2 Pole Housing & 350 amp Contacts

Part Number	Housing Color	Wire AWG	Wire sq. mm
6345G1	Gray	2/0	67.4
6345G2	Gray	3/0	85.0
6345G3	Gray	4/0	107.2
6345G5	Gray	300mcm	152.0
6346G1	Blue	2/0	67.4
6346G2	Blue	3/0	85.0
6346G3	Blue	4/0	107.2
6346G5	Blue	300mcm	152.0
6347G1	Red	2/0	67.4
6347G2	Red	3/0	85.0
6347G3	Red	4/0	107.2
6347G5	Red	300mcm	152.0
6348G1	Green	2/0	67.4
6348G2	Green	3/0	85.0
6348G3	Green	4/0	107.2
6348G5	Green	300mcm	152.0

Note: For additional colors please contact customer service

HEADQUARTERS: 13 Pratts Junction Road, P.O. Box 579, Sterling, MA 01564 T:978-422-3600 F:978-422-3700

EUROPE: Rathealy Road, Fermoy Co. Cork, Ireland T:353-(0)25-32277 F:353-(0)25-32296

ASIA/PACIFIC: IDEAL Anderson Asia Pacific Ltd., Unit 922-928 Topsail Plaza, 11 On Sum Street, Shatin N.T., Hong Kong T:852-2636-0836 F:852-2635-9036

CHINA: IDEAL Anderson Technologies (Shenzhen) Ltd., Block A8 Tantou W. Ind. Par, Songgang Baoan District, Shenzhen, P.R. China 51810 T: 86-755-2768-2118 F: 86-755-2768-2218

TAIWAN: IDEAL Anderson Asia Pacific Ltd., Taiwan Branch, 4F.-2, No.116, Dadun 20th St., Situn District, Taichung City 407, Taiwan (R.O.C.) T: 886-4-2310-6451 F:886-4-2310-6460

www.andersonpower.com

ORDERING INFORMATION

continued

2 Pole Housing & 350 amp Contacts

Part Number	Housing Color	Wire	
		AWG	sq. mm
6363G2	Black	3/0	85.0
6363G3	Black	4/0	107.2
6363G5	Black	300mcm	152.0
6364G1	Yellow	2/0	67.4
6364G2	Yellow	3/0	85.0
6364G3	Yellow	4/0	107.2
6364G5	Yellow	300mcm	152.0
6369G1	Orange	2/0	67.4
6369G2	Orange	3/0	85.0
6369G3	Orange	4/0	107.2
6369G5	Orange	300mcm	152.0

2 Pole Housing, 350 amp 35mm Contacts

Part Number	Housing Color	Wire
		sq. mm
6345G6	Gray	35
6346G6	Blue	35
6347G6	Red	35
6348G6	Green	35
6363G6	Black	35
6364G6	Yellow	35
6369G6	Orange	35

2 Pole Housing, 350 amp 35mm Contacts & Auxiliary Contacts

Part Number	Housing Color	Wire
		sq. mm
6340G6	Gray	35
6341G6	Blue	35
6342G6	Red	35
6343G6	Green	35
6359G6	Black	35
6360G6	Yellow	35
6380G6	Orange	35

Housings Only

Part Number	Color
6350	Gray
6351	Blue
6352	Red
6353	Green
6361	Black
6362	Yellow
6339	Orange

Contacts

Part Number	Description	Wire	
		AWG	sq. mm
6354	Contact set (2)	2/0	67.4
6355	Contact set (2)	3/0	85.0
6356	Contact set (2)	4/0	107.2
6358	Contact set (2)	300 mcm	152.0
6394	Contact set (2)-thin wall	N/A	35

Bushings

Part Number	Description	Wire	
		AWG	sq. mm
5918	For use with 6354	2/0 to 1/0	67.4 to 53.5

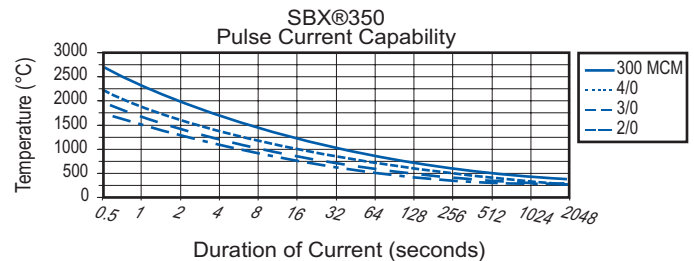
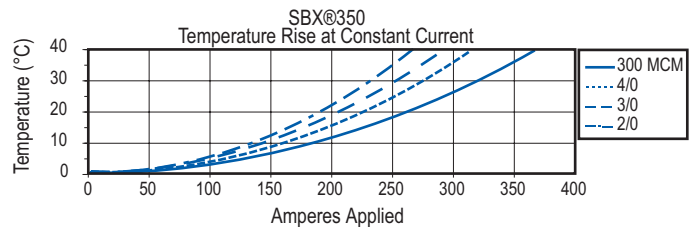
Accessories

Part Number	Description
6305G1	Auxiliary contact kit with contact part number 1331
6310G1	Auxiliary contact kit with contact part number 1332
6337G1	Charger key
6367G1	Pin kit #16/12(1.31/3.31mm)-for battery
6366G2	Charger key & socket
995G2	Handle with hardware"A" frame
993G1	Manual release-battery bracket with hardware
994G1	Manual release-charger/truck bracket with hardware
911G2	Cable clamps-use alone with manual release or "A" frame handle

Tooling

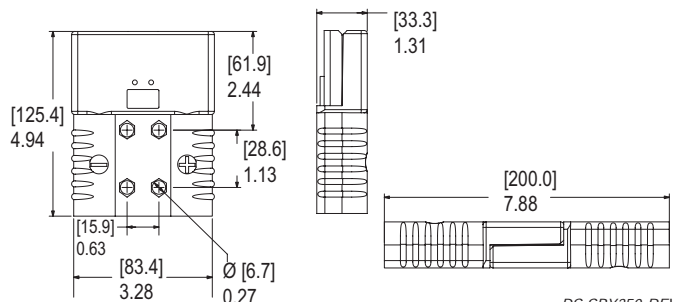
Part Number	Description
970P1	Extraction tool-insulatd handle
111038G2	Contact insertion/extraction tool for auxiliary contact kit
1368	Hand tool for 1/0 to 95mm (53.5/95)
1387G1	Pneumatic tool
1387G2	Pneumatic tool
1388G2	- die for 2/0 & 3/0 (67.4/85.0)
1388G9	- die for 1/0 (53.5)
1389G2	- locator for 1/0 to 4/0 (53.5/107.2)
1303G7	- die for 70mm
1303G8	- die for 50mm
1304G7	- locator for 70mm
1304G8	- locator for 50mm

TEMPERATURE RISE CHART



DIMENSIONS

Housing



DS-SBX350 REV03