

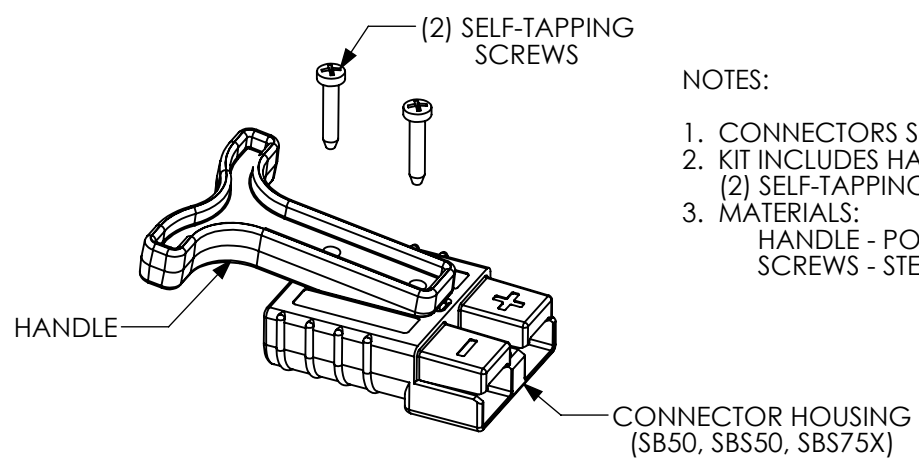
THE INFORMATION CONTAINED IN THIS DRAWING IS THE SOLE PROPERTY OF ANDERSON POWER PRODUCTS. ANY REPRODUCTION IN PART OR WHOLE WITHOUT THE WRITTEN PERMISSION OF ANDERSON POWER PRODUCTS IS PROHIBITED.

Copyright 2012

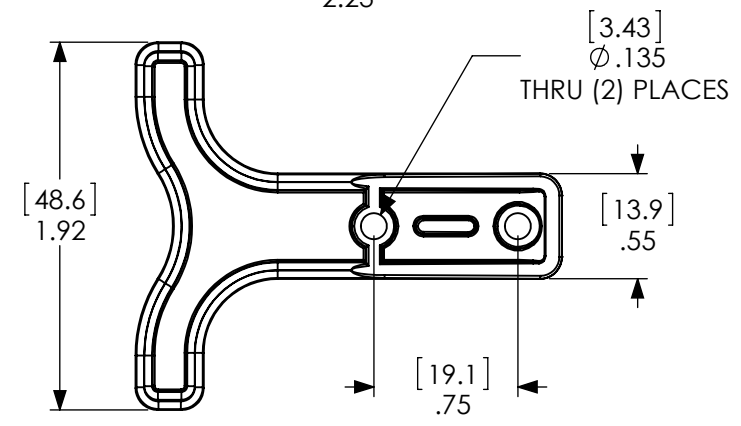
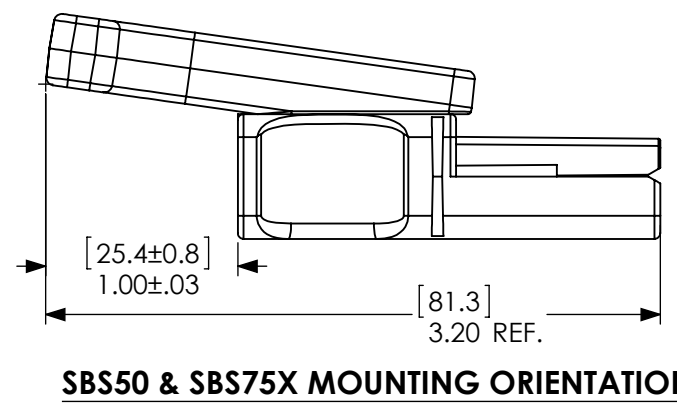
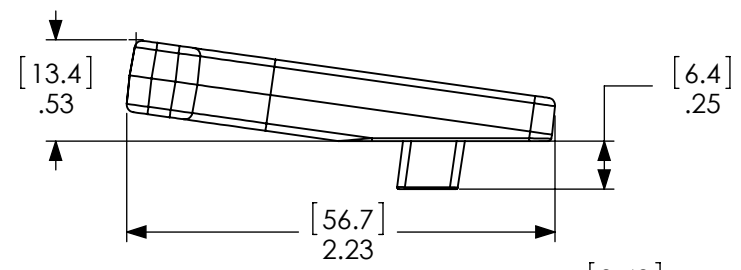
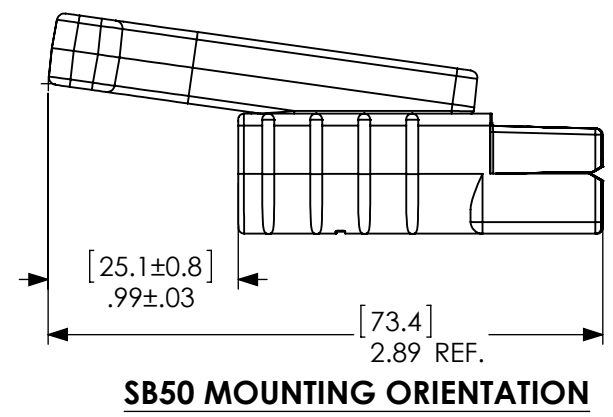
ANDERSON POWER PRODUCTS RESERVES THE RIGHT TO ALTER PRODUCT TYPES, THEIR TECHNICAL DATA, DIMENSION, STYLE AND ACCESSORIES WITHOUT PRIOR NOTIFICATION.

D
C
B
A

D
C
B
A



- NOTES:
- CONNECTORS SOLD SEPARATELY
 - KIT INCLUDES HANDLE AND (2) SELF-TAPPING SCREWS
 - MATERIALS:
HANDLE - POLYCARBONATE
SCREWS - STEEL, ZINC-PLATED



REV.	DESCRIPTION	APPRV	DATE
5	ECRN-15038 REVISE AND REDRAW	TWE	1/13/12
4	ECRN-14347 REVISE AND REDRAW	AMS	11/17//08
REVISIONS			

DIMENSIONS ARE IN:	INCH [MM]	APPROVALS		<p>ANDERSON POWER PRODUCTS</p> <p>TITLE</p> <p>PLASTIC HANDLE FOR USE WITH SB50, SBS50, SBS75X CONNECTORS (CAT. NO. SB50-HDL-RED)</p>
UNLESS OTHERWISE STATED		DRAWN	6/3/1996	
TOLERANCES:		CHECKED	8/25/1997	
DECIMALS (INCH)	DECIMALS (MM)	ANGLES		
.XX ±.02	.X ±.5	±2°		
SURFACE FINISH:		MFG APPRV	8/25/1997	
MACHINED	128µin [3.2µ]	KJ		
MOLDED	64µin [1.6µ]	QC APPRV	8/26/1997	
MATERIAL:		ENG APPRV	8/26/1997	
SEE NOTES		UFN		SIZE A
FINISH:				DWG NO. 113923S1
SEE NOTES				REV. 5
		-CAD GENERATED DRAWING- DO NOT MANUALLY UPDATE DO NOT SCALE		SCALE NONE
				CADFILE 01422
				SHEET 1 OF 1