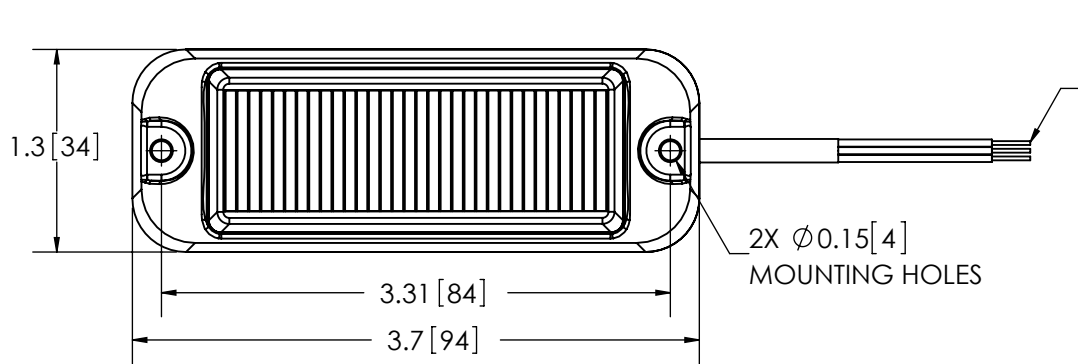


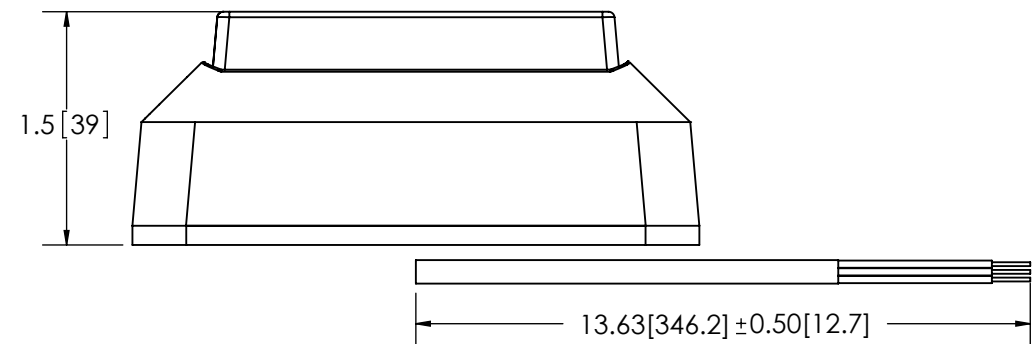
REVISION HISTORY		
REV.	DESCRIPTION	DATE
C	REMOVED CLASS II FROM 3730C FGS PRODUCT CHART PER EC2891	2009-08-11
D	REVISE PER P10006	2011-05-03
E	REVISE PER EC3413	2012-10-19



4-24 AWG WIRES
 RED - POSITIVE(+)
 GREEN - NEGATIVE(-)
 BLUE - SYNCHRONIZE
 YELLOW - POSITIVE(+)
 FLASH PATTERN SET

SPECIFICATIONS

- CERTIFICATIONS: SEE CHART
 Note: Unique components, accessories, and hardware kits are not typically included in the Product Certification Test Protocols. Unless otherwise Specified, the Product Certifications referred to herein are predicated upon the base product model configuration.
 FLASH MODE: MULTIPLE FLASH PATTERNS AVAILABLE. SEE INSTALLATION INSTRUCTIONS
- VOLTAGE (NOMINAL): 12 to 24 VDC
- VOLTAGE (EXTREME): 9.0 to 32 VDC
- CURRENT (PEAK): SEE CHART @ 12.8VDC
- POWER (MAXIMUM): SEE CHART @ 12.8VDC
- TEMPERATURE RANGE: -22°F (-30°C) TO 122°F (50°C)
- CONNECTION: 4-24 AWG WIRES
- MOUNTING: 2 BOLT MOUNT
- BASE MATERIAL: ALUMINUM
- LENS MATERIAL: CLEAR ACRYLIC
- PRODUCT WEIGHT: 0.3 LBS (0.14 Kg)



FGS PRODUCT CHART							
FGS NO.	COLOR	CURRENT(MEAN)	POWER(MEAN)	CE	e	IP	SAE J595
3730A	AMBER	0.2 A	2.3 W	X	X	IP-67D	CLASS II
3730B	BLUE	0.3 A	5.9 W	X	X	IP-67D	CLASS II
3730C	WHITE	0.2 A	2.7 W	X	X	IP-67D	
3730R	RED	0.2 A	2.2 W	X	X	IP-67D	CLASS II

NOTES:
 1. DIMENSIONS IN INCHES[MILLIMETERS (FOR REFERENCE)]

SCALE 1:1.25		APPROVALS	DATE
CAD GENERATED DRAWING DO NOT MANUALLY UPDATE. MODEL REFERENCED:A		DRAWN BY: BND	2012-10-03
		CHECKED: MDH	2012-10-04
TOLERANCES ARE IN INCHES, AND MILLIMETERS TOLERANCES ARE:		MECH. ENG: NMT	2012-10-03
		ELEC. ENG: TJT	2012-10-03
TEST ENG: JRT		2012-10-03	
SALES: GLB		2012-10-03	

ECCO® Electronic Controls Co.
 833 West Diamond Street, Boise, ID 83705
 800-635-5900
 www.eccolink.com

3 HEAD LED, RECTANGLE, ALUMINUM, 12-24V

CUSTOMER PART NO. **SEE CHART** PRODUCT SERIES: **3730**

SIZE: **A** DWG. NO. **3730X** REV. **E**

Electronically Controlled Use Latest Copy SHEET 1 OF 1 Project: 06066 Date Created: 2008-06-09

THIS DRAWING AND THE DESIGN IT DISCLOSES ARE THE PRIVATE PROPERTY OF ECCO AND IS ISSUED IN CONFIDENCE FOR ENGINEERING INFORMATION ONLY. THE DRAWING AND / OR DESIGN MAY NOT BE USED, COPIED, REPRODUCED, OR OTHERWISE DISCLOSED IN PART OR AS A WHOLE TO OUTSIDERS OR USED FOR ANY OTHER PURPOSE WITHOUT THE PRIOR WRITTEN CONSENT OF ECCO. THE DRAWING IS SUBJECT TO RECALL AT ANY TIME. YOUR POSSESSION OF THIS DOCUMENT CONSTITUTES ACCEPTANCE OF THESE TERMS. © 2008 ECCO

