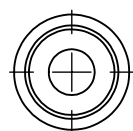
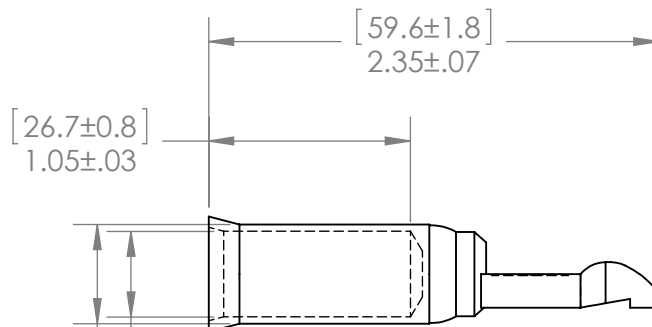
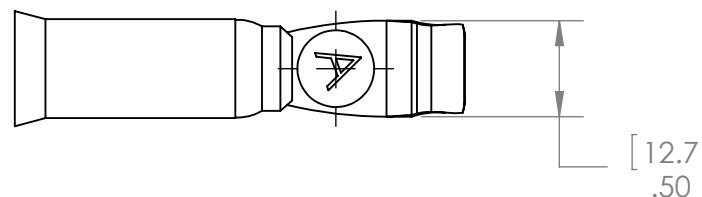
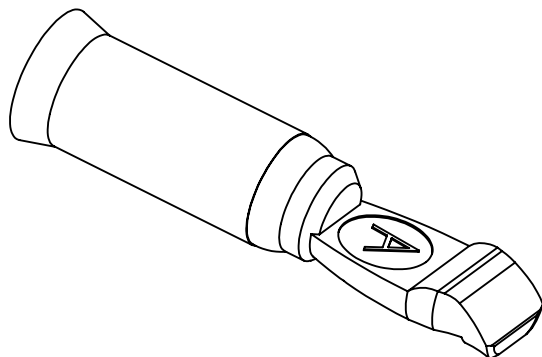


THE INFORMATION CONTAINED IN THIS DRAWING IS THE SOLE PROPERTY OF ANDERSON POWER PRODUCTS. ANY REPRODUCTION IN PART OR WHOLE WITHOUT THE WRITTEN PERMISSION OF ANDERSON POWER PRODUCTS IS PROHIBITED.

**Copyright 2011**

ANDERSON POWER PRODUCTS RESERVES THE RIGHT TO ALTER PRODUCT TYPES, THEIR TECHNICAL DATA, DIMENSION, STYLE AND ACCESSORIES WITHOUT PRIOR NOTIFICATION.



ØA

CAT. NO.	WIRE SIZE	INCH	MM
1347	#1 AWG	0.39	9.9
1383	#2 AWG	0.35	8.9
1384	#4 AWG	0.30	7.6

DIMENSIONS ARE IN:	INCH [MM]	<b>APPROVALS</b>			<b>ANDERSON POWER PRODUCTS</b>				
UNLESS OTHERWISE STATED		DRAWN	TWE		4/28/2011	TITLE PP180 / SB175 CONTACTS			
TOLERANCES:		CHECKED	LLD	4/28/2011	SIZE A				
DECIMALS (INCH)	DECIMALS (MM)	ANGLES	MFG APPRV	CHB			4/28/2011	DWG NO. 115075S1	
.XX ± .02	.X ± .5	±2°	QC APPRV	UFN	4/28/2011	REV. 0			
SURFACE FINISH:		MACHINED	128 [3.2] ✓	ENG APPRV	CMS			4/28/2011	SCALE NONE
MATERIAL:		MOLDED	64 [1.6] ✓	-CAD GENERATED DRAWING- DO NOT MANUALLY UPDATE DO NOT SCALE		CADFILE 01065		SHEET 1 OF 1	
FINISH:		COPPER ALLOY		SILVER PLATE					

REV.	DESCRIPTION	APPRV	DATE
REVISIONS			