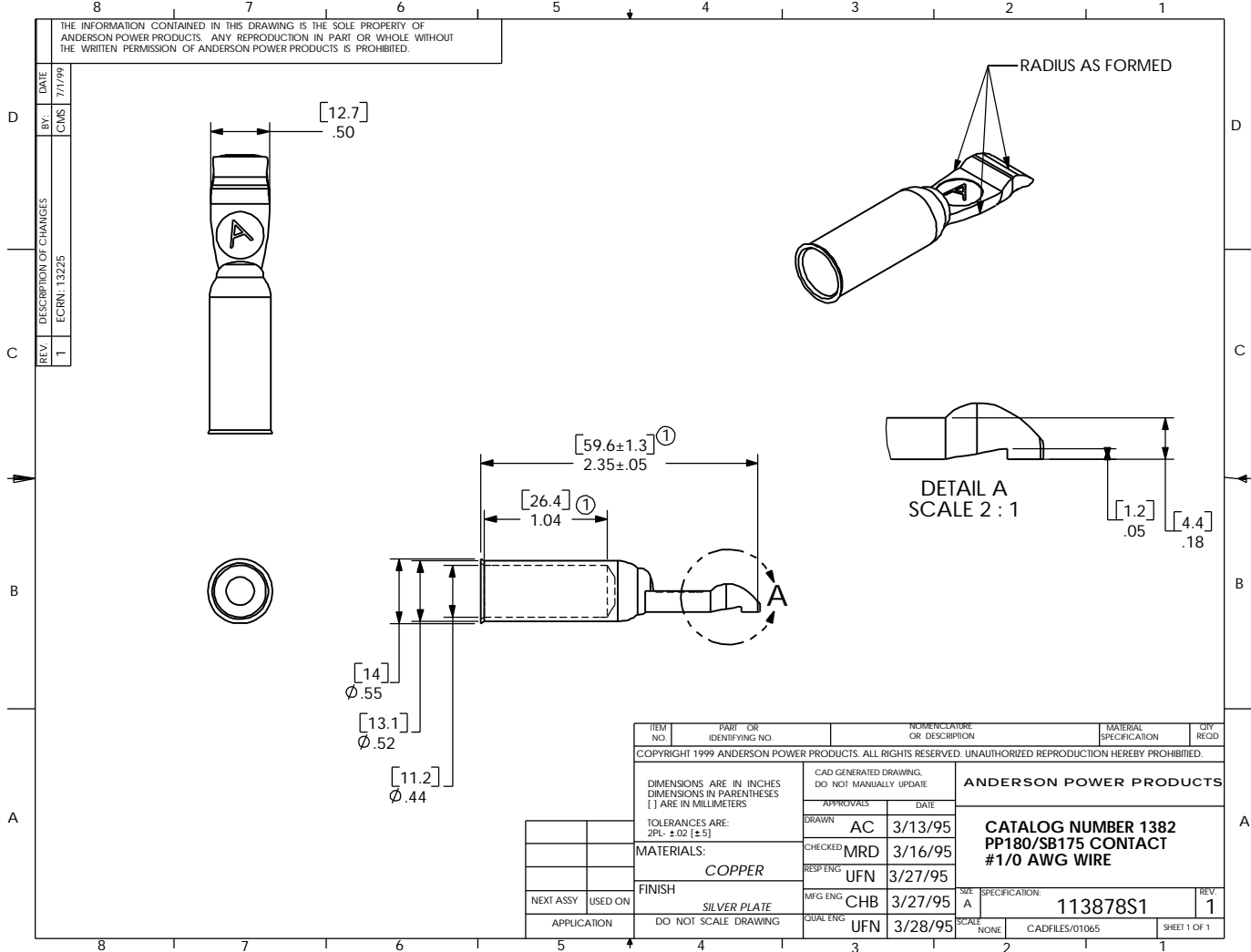


THE INFORMATION CONTAINED IN THIS DRAWING IS THE SOLE PROPERTY OF ANDERSON POWER PRODUCTS. ANY REPRODUCTION IN PART OR WHOLE WITHOUT THE WRITTEN PERMISSION OF ANDERSON POWER PRODUCTS IS PROHIBITED.



REV.	DESCRIPTION OF CHANGES	BY:	DATE
1	ECHR: 13225	CMS	7/1/99

ITEM NO.	PART OR IDENTIFYING NO.	NOMENCLATURE OR DESCRIPTION	MATERIAL SPECIFICATION	QTY REQD
COPYRIGHT 1999 ANDERSON POWER PRODUCTS. ALL RIGHTS RESERVED. UNAUTHORIZED REPRODUCTION HEREBY PROHIBITED.				
DIMENSIONS ARE IN INCHES DIMENSIONS IN PARENTHESES [] ARE IN MILLIMETERS		CAD GENERATED DRAWING. DO NOT MANUALLY UPDATE		ANDERSON POWER PRODUCTS
TOLERANCES ARE: 2PL ±.02 [±.5]		APPROVALS	DATE	
MATERIALS: <i>COPPER</i>		DRAWN	AC 3/13/95	CATALOG NUMBER 1382 PP180/SB175 CONTACT #1/0 AWG WIRE
FINISH <i>SILVER PLATE</i>		CHECKED	MRD 3/16/95	
NEXT ASSY USED ON		RESP ENG	UFN 3/27/95	
APPLICATION DO NOT SCALE DRAWING		MFG ENG	CHB 3/27/95	
			SIZE	SPECIFICATION:
			A	113878S1
			SCALE	REV.
			NONE	1
			CADFILES/01065	SHEET 1 OF 1