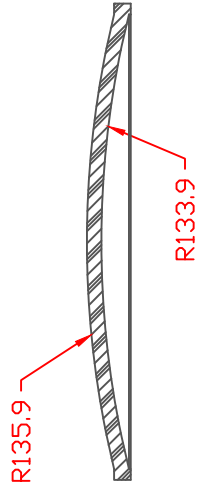
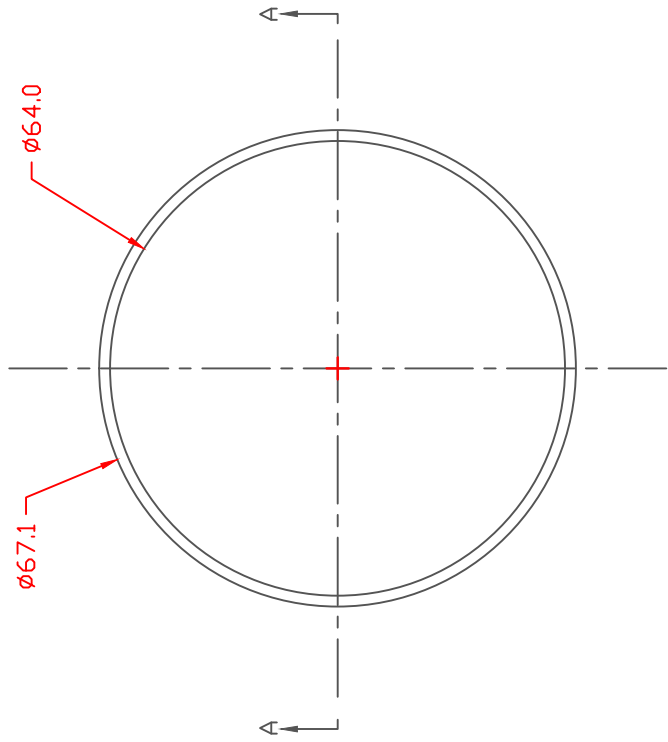


PROPRIETARY RIGHTS ARE CLAIMED FOR THE MATERIAL DISCLOSED IN THIS DRAWING.

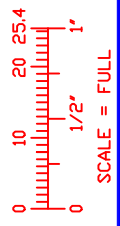
| | | |
|------|-----------|----------|
| LTR. | REVISIONS | DATE |
| >>> | ***** | 00-00-98 |



TO BE USED WITH VTE
476 & 480 SERIES

TOLERANCE UNLESS OTHERWISE SPECIFIED: $\pm 0.30^\circ / \pm 0.8\text{mm}$
RADIAL DIAMETERS TO BE MEASURED OVER MANDRELS,
RING GAGES OR PIN GAGES OF SUITABLE SIZE

Material: Polypropylene
 Material Part No: 1209720314
 Max. Operating Temp: 550 F
 Durometer: 110 R-Scale
 Specific Gravity: 1.13
 Ult. Elongation %: 2.5
 Modulus PSI: *****
 Tensile Strength PSI: 9500
 Dielectric Strength, v./ml: *****
 MEETS: UL94HB



VTE Incorporated
 5437 Robinson Road, P.O. Box 790
 Pellston, Michigan 49769
 Telephone: 1-800-527-9256, 231-539-8000
 FAX: 231-539-0914

| | | | | |
|-----------|--------|-------------------------------|----|---------|
| REF: | DATE: | DRN BY: | JC | WEIGHT: |
| | 4-2-98 | CHK'D BY: | | 7 grams |
| TITLE: | | 8D BATTERY TERMINAL BOOT, CAP | | |
| MATERIAL: | | PART NO. | | |
| COLOR: | | 479N9P14 | | |
| DRG CLASS | | | | |