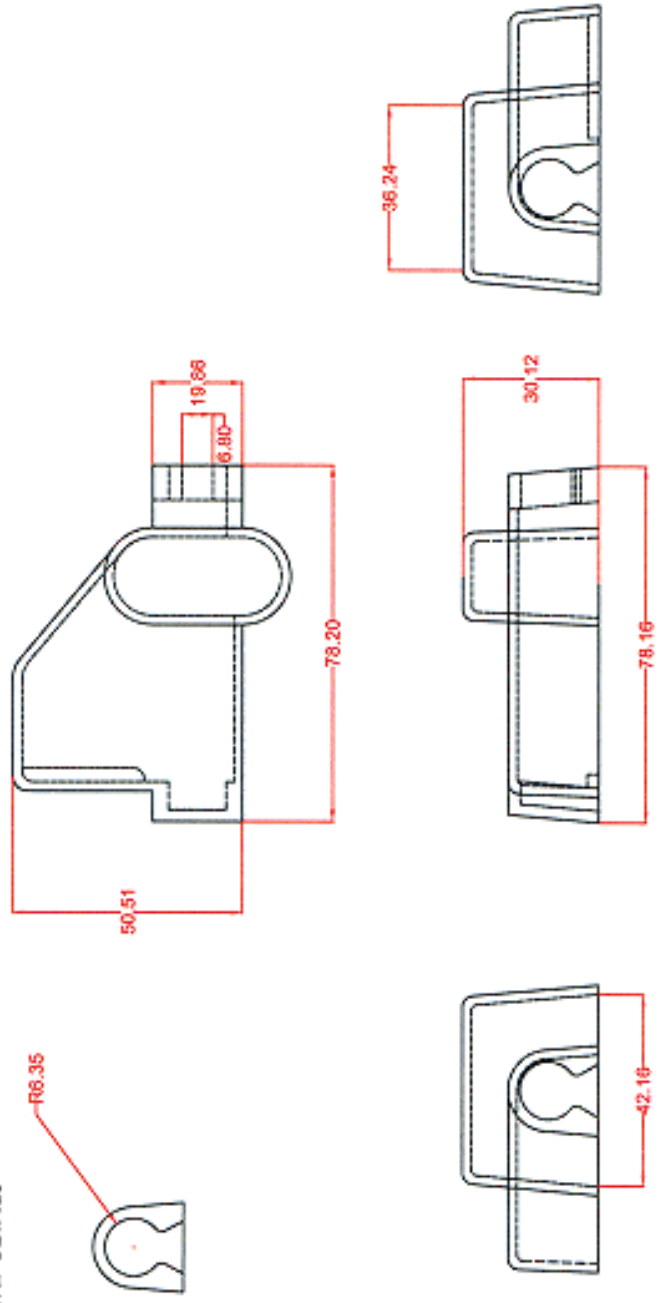


PROPRIETARY RIGHTS ARE CLAIMED FOR THE MATERIAL DISCLOSED IN THIS DRAWING.

LTR.	REVISIONS	DATE
A	DRAWING LAYOUT/DIMENSION	9/20/99

GRIP DETAILS



TOLERANCE UNLESS OTHERWISE SPECIFIED: $\pm 0.007/60.2\text{mm}$
 RADIAL DIAMETERS TO BE MEASURED OVER MANDRELS, RING
 GAGES OR PIN GAGES OF SUITABLE SIZE



VTE Incorporated
 5437 Robinson Road, P.O. Box 750
 Pelee Island, Michigan 49769
 Telephone: 1-800-527-9256, 231-539-8000
 FAX: 231-539-0914

REF:	DATE:	DRN BY:	LWH	WEIGHT:
	07/15/99	CHKD BY:		21.6 g
TITLE: OFFSET TERMINAL INSULATOR SCALE: ----				
MATERIAL: SEE LIST				PART NO.
COLOR: RED				454R9V02
DRG CLASS				

RED PVC
M105-95 RD
***A* 10 SEC. 98/92**
 1.42
 217
 2123
 94 V2

Material:
 Material Part No
 Shore Durometer
 Specific Gravity:
 Ult. Elongation %:
 Tensile Strength PSI:
 U.L. Rating:

