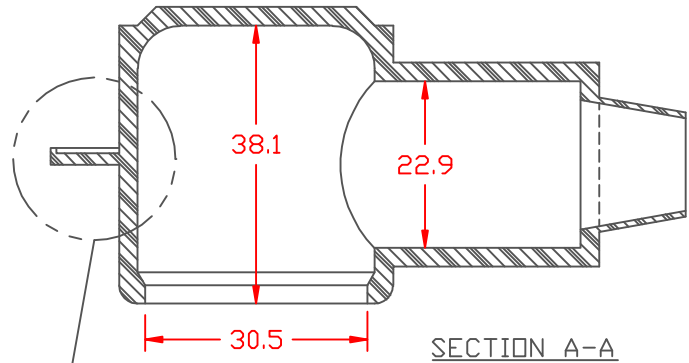


PROPRIETARY RIGHTS ARE CLAIMED FOR THE MATERIAL DISCLOSED IN THIS DRAWING.

TYP. WALL THICKNESS = 2.5

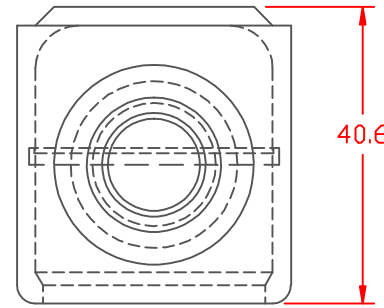
|      |           |          |
|------|-----------|----------|
| LTR. | REVISIONS | DATE     |
| ✂    | *****     | 00-00-98 |



SECTION A-A

SEAL NO. 3 SHOWN

SEE VIEW "B"



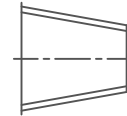
40.6

SEAL OPTIONS

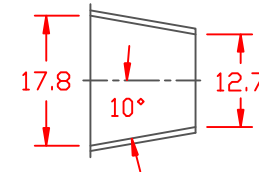
SEAL THICKNESS = .8



NO. 1  
Wire Gages  
18 - 10



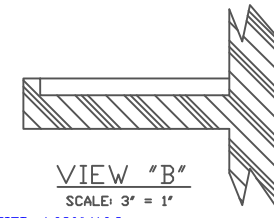
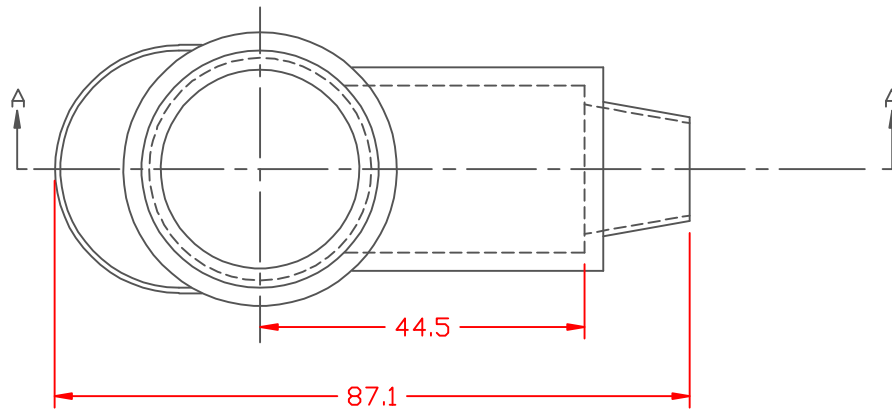
NO. 2  
Cable Gages  
8 - 2



NO. 3  
Cable Gages  
2 - 2/0



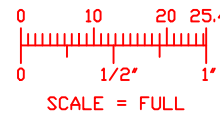
NO. 4  
Cable Gages  
2/0 - 4/0



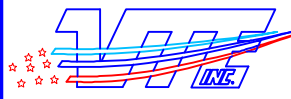
VIEW "B"  
SCALE: 3" = 1"

TOLERANCE UNLESS OTHERWISE SPECIFIED: ±.030"/±0.8mm  
RADIAL DIAMETERS TO BE MEASURED OVER MANDRELS, RING GAGES OR PIN GAGES OF SUITABLE SIZE

|                            |                   |
|----------------------------|-------------------|
| VTE Material Part No:      | 1101650114        |
| Material:                  | BLACK PVC         |
| Material Part No           | 9812-65           |
| Max. Operating Temp:       | 105 C             |
| Shore Durometer            | "A" 10 SEC. 67/63 |
| Specific Gravity:          | 1.33              |
| Ult. Elongation %:         | 520               |
| Brittle Temp:              | -36 C             |
| Tensile Strength PSI:      | 1563 PSI          |
| Dielectric Strength, v./ml | 540               |
| U.L. Rating:               | 94 V2             |
| MEETS:                     | FMVSS.302         |



SCALE = FULL



**VTE Incorporated**  
5437 Robinson Road, P.O. Box 790  
Pellston, Michigan 49769  
Telephone: 1-800-527-9256, 231-539-8000  
FAX: 231-539-0914

|                                      |                  |                             |                               |
|--------------------------------------|------------------|-----------------------------|-------------------------------|
| REF:                                 | DATE:<br>3-25-98 | DRN BY: JC                  | WEIGHT:<br>057 LBS. / 25.7 G. |
| TITLE: <b>TERMINAL INSULATOR CAP</b> |                  |                             |                               |
| MATERIAL:                            |                  | PART NO.<br><b>232N3V14</b> |                               |
| COLOR:                               | DRG CLASS        |                             |                               |