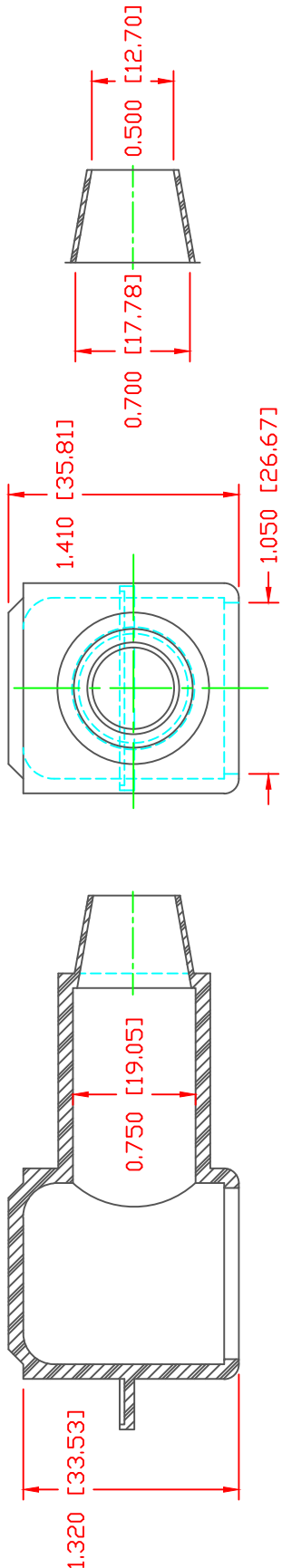


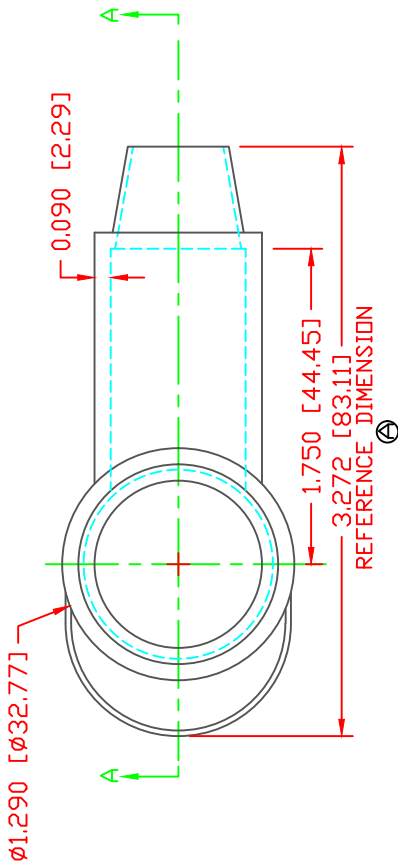
THE INFORMATION CONTAINED IN THIS DRAWING IS THE SOLE PROPERTY OF VTE INCORPORATED. ANY REPRODUCTION IN PART OR WHOLE WITHOUT THE WRITTEN PERMISSION OF VTE INCORPORATED IS PROHIBITED. VTE MAKES NO WARRANTY, EXPRESSED OR IMPLIED, AS TO THE SUITABILITY OF A PRODUCT FOR ANY INTENDED USE. THE CUSTOMER SHALL BEAR THE SOLE RESPONSIBILITY OF DETERMINING THE SUITABILITY OF ANY VTE PRODUCT FOR ITS END USE.

LTR.	REVISIONS	DATE	INT.
↶	ADDED REFERENCE DIMENSION	02-25-16	RAS



SEAL THICKNESS = .030" [.8]  
 NO. 3  
 Cable Gages  
 2 - 2/0

SECTION A-A  
 TYP. WALL THICKNESS = .090" [2.3]  
 SEAL NO. 3 SHOWN



ALL DIMENSIONS GIVEN AS: In [mm]  
 MOLDED PARTS:  $\pm .030"$  [ $\pm 0.8\text{mm}$ ]  
 HARDWARE ITEMS:  $\pm .010"$  [ $\pm 0.25\text{mm}$ ]



VTE Incorporated  
 5437 Robinson Road, P.O. Box 790  
 Pellston, Michigan 49769  
 Telephone: 1-800-527-9256, 231-539-8000  
 FAX: 231-539-0914

1101650114  
 PVC  
 9812-65-BLACK  
 "A" 10 SEC. 65  
 1.34  
 400  
 315-335 F [157-168 C]  
 -54 F [-48 C]  
 1550 PSI  
 453  
 V2

VTE PART NO:  
 MATERIAL:  
 VENDOR PART NO:  
 SHORE DUROMETER:  
 SPECIFIC GRAVITY:  
 ULT. ELONGATION %:  
 MELTING TEMP:  
 BRITTLE TEMP:  
 Tensile Strength PSI:  
 Dielectric Strength, v./mil  
 U.L. Rating:

REF:	DATE:	DRN BY:	JC	WEIGHT:
CUSTOMER DIMS	03-24-98	CHK'D BY:	JC	.042 LBS [19 g]
TITLE: TERMINAL INSULATOR CAP				
MATERIAL: PVC		PART NO.		
COLOR: BLACK	DRG REV A	228N3V14		

DO NOT SCALE