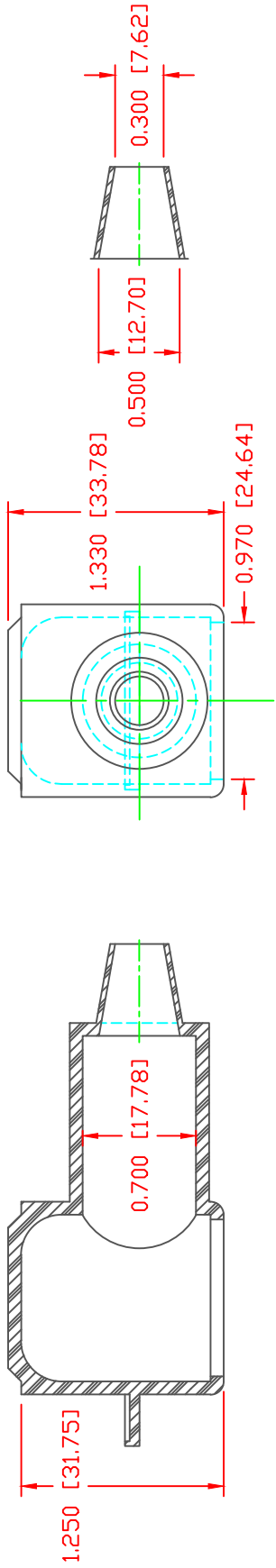


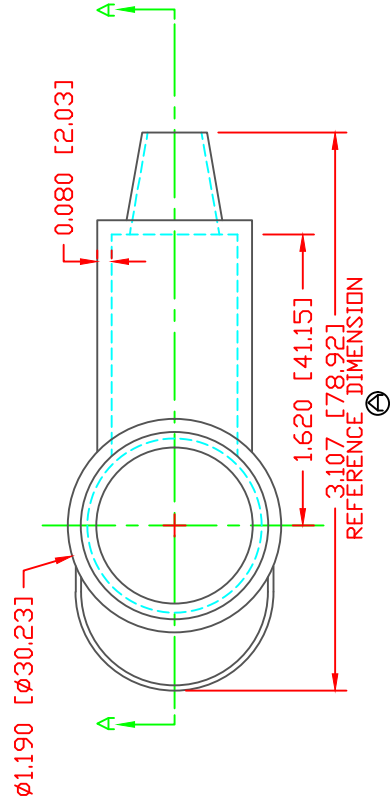
THE INFORMATION CONTAINED IN THIS DRAWING IS THE SOLE PROPERTY OF VTE INCORPORATED. ANY REPRODUCTION IN PART OR WHOLE WITHOUT THE WRITTEN PERMISSION OF VTE INCORPORATED IS PROHIBITED. VTE MAKES NO WARRANTY, EXPRESSED OR IMPLIED, AS TO THE SUITABILITY OF A PRODUCT FOR ANY INTENDED USE. THE CUSTOMER SHALL BEAR THE SOLE RESPONSIBILITY OF DETERMINING THE SUITABILITY OF ANY VTE PRODUCT FOR ITS END USE.

LTR.	REVISIONS	DATE	INT.
↶	ADDED REFERENCE DIMENSION	02-25-16	RAS



SECTION A-A  
 TYP. WALL THICKNESS = .080" [2.0]  
 SEAL NO. 2 SHOWN

SEAL THICKNESS = .030" [.8]  
 NO. 2  
 Cable Gages  
 8 - 2



VTE PART NO: 1101650102  
 MATERIAL: PVC  
 VENDOR PART NO: 9812-65-RED.683  
 SHORE DUROMETER: "A" 10 SEC. 65  
 SPECIFIC GRAVITY: 1.34  
 ULT. ELONGATION %: 400  
 MELTING TEMP: 315-335 F [157-168 C]  
 BRITTLE TEMP: -54 F [-48 C]  
 Tensile Strength PSI: 1550 PSI  
 Dielectric Strength, v./mil: 511  
 U.L. Rating: V2

VTE Incorporated  
 5437 Robinson Road, P.O. Box 790  
 Pellston, Michigan 49769  
 Telephone: 1-800-527-9256, 231-539-8000  
 FAX: 231-539-0914

REF.	DATE:	DRN BY:	JC	WEIGHT:
CUSTOMER DIMS	03-24-98	CHK'D BY:	JC	.033 LBS [15.1 g]
TITLE: TERMINAL INSULATOR CAP				
MATERIAL: PVC		PART NO.		
COLOR: RED	DRG CLASS	226N2V02		

DO NOT SCALE