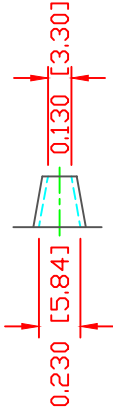
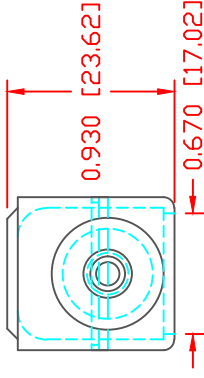
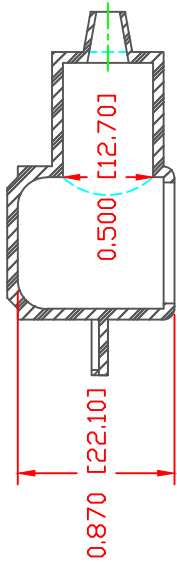
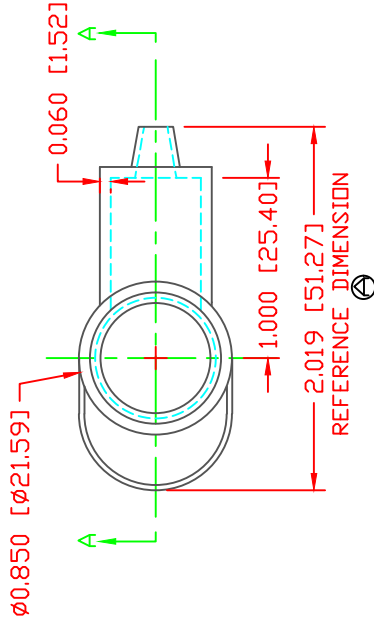


THE INFORMATION CONTAINED IN THIS DRAWING IS THE SOLE PROPERTY OF VTE INCORPORATED. ANY REPRODUCTION IN PART OR WHOLE WITHOUT THE WRITTEN PERMISSION OF VTE INCORPORATED IS PROHIBITED. VTE MAKES NO WARRANTY, EXPRESSED OR IMPLIED, AS TO THE SUITABILITY OF A PRODUCT FOR ANY INTENDED USE. THE CUSTOMER SHALL BEAR THE SOLE RESPONSIBILITY OF DETERMINING THE SUITABILITY OF ANY VTE PRODUCT FOR ITS END USE.

LTR.	REVISIONS	DATE	INT.
↶	ADDED REFERENCE DIMENSION	02-25-16	RAS



SECTION A-A
TYP. WALL THICKNESS = .060" [1.5]
SEAL NO. 1 SHOWN



SEAL THICKNESS = .030" [.8]
NO. 1
Wire Gages
18 - 10

VTE PART NO: 1101650114
MATERIAL: PVC
VENDOR PART NO: 9812-65-BLACK
SHORE DUROMETER: "A" 10 SEC. 65
SPECIFIC GRAVITY: 1.34
ULT. ELONGATION %: 400
MELTING TEMP: 315-335 F [157-168 C]
BRITTLE TEMP: -54 F [-48 C]
Tensile Strength PSI: 1550 PSI
Dielectric Strength, v./mil: 453
U.L. Rating: V2

1101650114
PVC
9812-65-BLACK
"A" 10 SEC. 65
1.34
400
315-335 F [157-168 C]
-54 F [-48 C]
1550 PSI
453
V2

ALL DIMENSIONS GIVEN AS: In [mm]
MOLDED PARTS: ±.030" [±0.8mm]
HARDWARE ITEMS: ±.010" [±0.25mm]



VTE Incorporated
5437 Robinson Road, P.O. Box 790
Pellston, Michigan 49769
Telephone: 1-800-527-9256, 231-539-8000
FAX: 231-539-0914

REF:	DATE:	DRN BY:	JC	WEIGHT:
CUSTOMER DIMS	03-18-98	CHK'D BY:	JC	.013 LBS [5.99 g]
TITLE: TERMINAL INSULATOR CAP				
MATERIAL: PVC				PART NO.
COLOR: BLACK	DRG REV A	218N1V14		

DO NOT SCALE