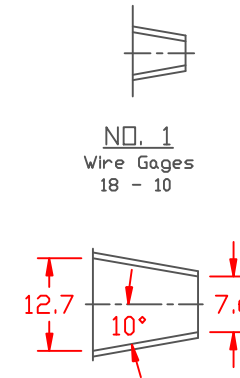
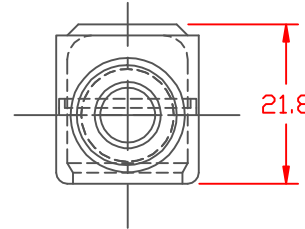
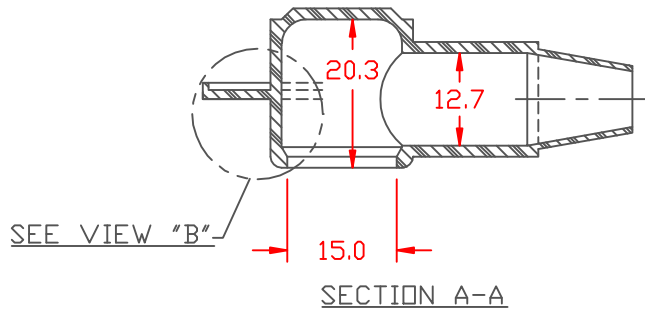


PROPRIETARY RIGHTS ARE CLAIMED FOR THE MATERIAL DISCLOSED IN THIS DRAWING.

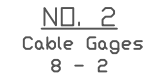
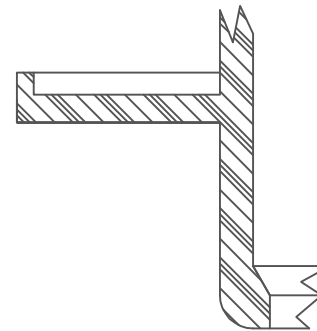
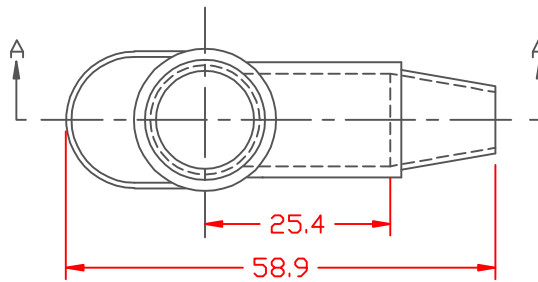
LTR.	REVISIONS	DATE
≠	*****	00-00-98

SEAL OPTIONS

SEAL THICKNESS = .8

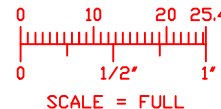


TYP. WALL THICKNESS = 1.5  
SEAL NO. 2 SHOWN



VIEW "B" TOLERANCE UNLESS OTHERWISE SPECIFIED: ±.030"/±0.8mm  
SCALE: 3" = 1"  
RADIAL DIAMETERS TO BE MEASURED OVER MANDRELS,  
RING GAGES OR PIN GAGES OF SUITABLE SIZE

VTE Material Part No:	1101650114
Material:	BLACK PVC
Material Part No:	9812-65
Max. Operating Temp:	105 C
Shore Durometer:	"A" 10 SEC. 67/63
Specific Gravity:	1.33
Ult. Elongation %:	520
Brittle Temp:	-36 C
Tensile Strength PSI:	1563 PSI
Dielectric Strength, v./ml:	540
U.L. Rating:	94 V2
MEETS:	FMVSS.302



		<b>VTE Incorporated</b> 5437 Robinson Road, P.O. Box 790 Pellston, Michigan 49769 Telephone: 1-800-527-9256, 231-539-8000 FAX: 231-539-0914		
		REF:	DATE:	DRN BY: JC
		10-5-93	CHK'D BY:	.011 LBS. / 4.81 G.
TITLE: <b>TERMINAL INSULATOR CAP</b>				
MATERIAL:		PART NO.		
COLOR:		DRG CLASS		<b>216N2V14</b>