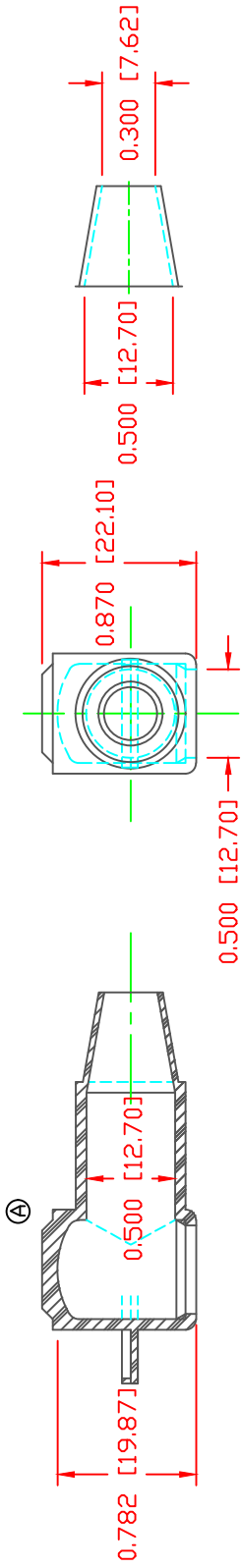


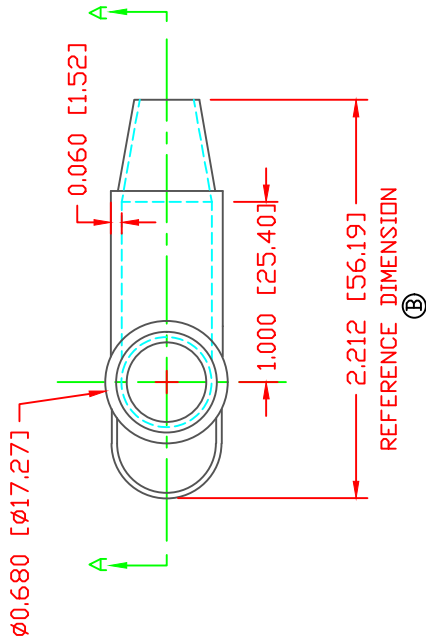
THE INFORMATION CONTAINED IN THIS DRAWING IS THE SOLE PROPERTY OF VTE INCORPORATED. ANY REPRODUCTION IN PART OR WHOLE WITHOUT THE WRITTEN PERMISSION OF VTE INCORPORATED IS PROHIBITED. VTE MAKES NO WARRANTY, EXPRESSED OR IMPLIED, AS TO THE SUITABILITY OF A PRODUCT FOR ANY INTENDED USE. THE CUSTOMER SHALL BEAR THE SOLE RESPONSIBILITY OF DETERMINING THE SUITABILITY OF ANY VTE PRODUCT FOR ITS END USE.

LTR.	REVISIONS	DATE	INT.
A	UPDATED OVERALL DIMENSIONS	08-27-14	JC
B	ADDED REFERENCE DIMENSION	02-16-16	RAS



SECTION A-A
 TYP. WALL THICKNESS = .060" [1.5]
 SEAL NO. 2 SHOWN

SEAL THICKNESS = .030" [.8]
 NO. 2
 Cable Gages
 8 - 2



VTE PART NO: 1101650114
 MATERIAL: PVC
 VENDOR PART NO: 9812-65-BLACK
 SHORE DUROMETER: "A" 10 SEC. 65
 SPECIFIC GRAVITY: 1.34
 ULT. ELONGATION %: 400
 MELTING TEMP: 315-335 F [157-168 C]
 BRITTLE TEMP: -54 F [-48 C]
 Tensile Strength PSI: 1550 PSI
 Dielectric Strength, v./mil: 453
 U.L. Rating: V2

ALL DIMENSIONS GIVEN AS: In [mm]
 MOLDED PARTS: ±.030" [±0.8mm]
 HARDWARE ITEMS: ±.010" [±0.25mm]



VTE Incorporated
 5437 Robinson Road, P.O. Box 790
 Pellston, Michigan 49769
 Telephone: 1-800-527-9256, 231-539-8000
 FAX: 231-539-0914

REF:	DATE:	DRN BY:	JC	WEIGHT:
CUSTOMER DIMS	10-05-93	CHK'D BY:	JC	.013 LBS [5.90 g]
TITLE: TERMINAL INSULATOR CAP				
MATERIAL: PVC		PART NO.		
COLOR: BLACK	DRG CLASS	214N2V14		

DO NOT SCALE