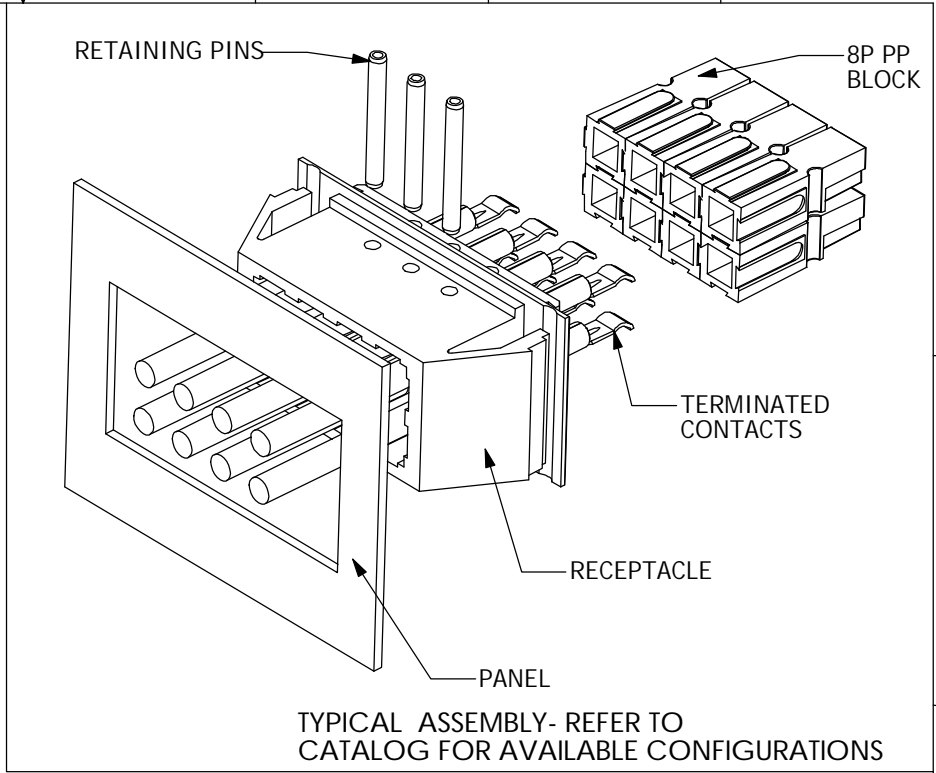
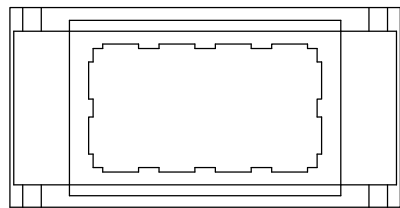
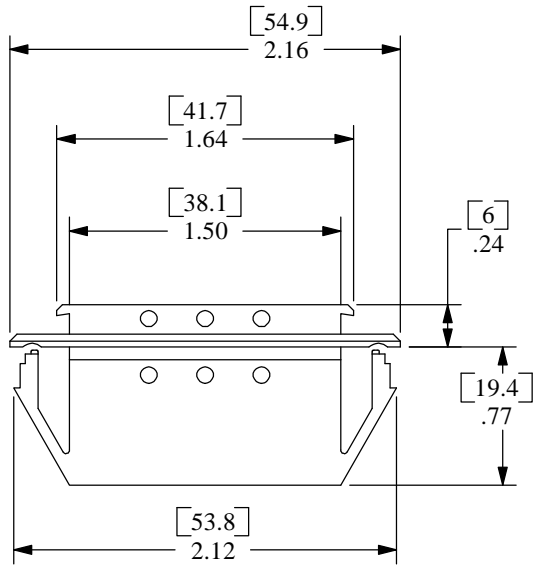


8 7 6 5 4 3 2 1

THE INFORMATION CONTAINED IN THIS DRAWING IS THE SOLE PROPERTY OF ANDERSON POWER PRODUCTS. ANY REPRODUCTION IN PART OR WHOLE WITHOUT THE WRITTEN PERMISSION OF ANDERSON POWER PRODUCTS IS PROHIBITED.

DATE
BY:
DESCRIPTION OF CHANGES
REV.



B

A

NOTES:

- DESIGNED FOR PANELS .030- .134" (.76- 3.4mm) THICK
- KNOCKOUT SIZE 1.00 X 1.88 (25.4 X 47.8)

ITEM NO.	PART OR IDENTIFYING NO.	NOMENCLATURE OR DESCRIPTION	MATERIAL SPECIFICATION	QTY RECD
COPYRIGHT 1999 ANDERSON POWER PRODUCTS. ALL RIGHTS RESERVED. UNAUTHORIZED REPRODUCTION HEREBY PROHIBITED.				
DIMENSIONS ARE IN INCHES DIMENSIONS IN PARENTHESES [ ] ARE IN MILLIMETERS		CAD GENERATED DRAWING. DO NOT MANUALLY UPDATE	ANDERSON POWER PRODUCTS	
TOLERANCES ARE: 2PL- ±.02 [±.5]		APPROVALS	DATE	
MATERIALS: <i>POLYCARBONATE</i>		DRAWN <b>CMS</b>	8/20/99	
FINISH <i>NONE</i>		CHECKED <b>DJD</b>	8/20/99	
NEXT ASSY		RESP ENG <b>UFN</b>	8/21/99	
USED ON		MFG ENG <b>CHB</b>	8/23/99	
APPLICATION		QUAL ENG <b>RO</b>	8/23/99	
DO NOT SCALE DRAWING			SIZE A	SPECIFICATION: <b>114167S3</b>
			SCALE NONE	REV. <b>0</b>
			CADFILES/01096	SHEET 1 OF 1

8 7 6 5 4 3 2 1