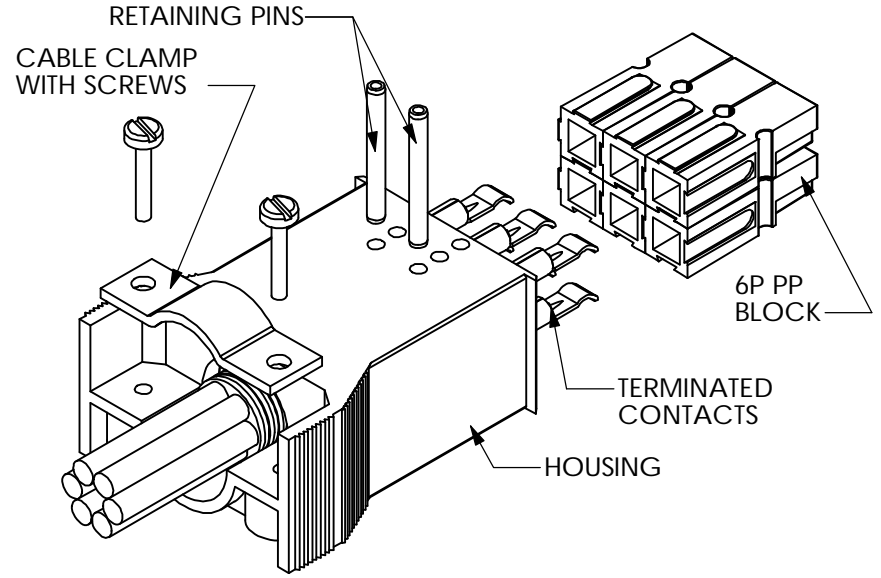
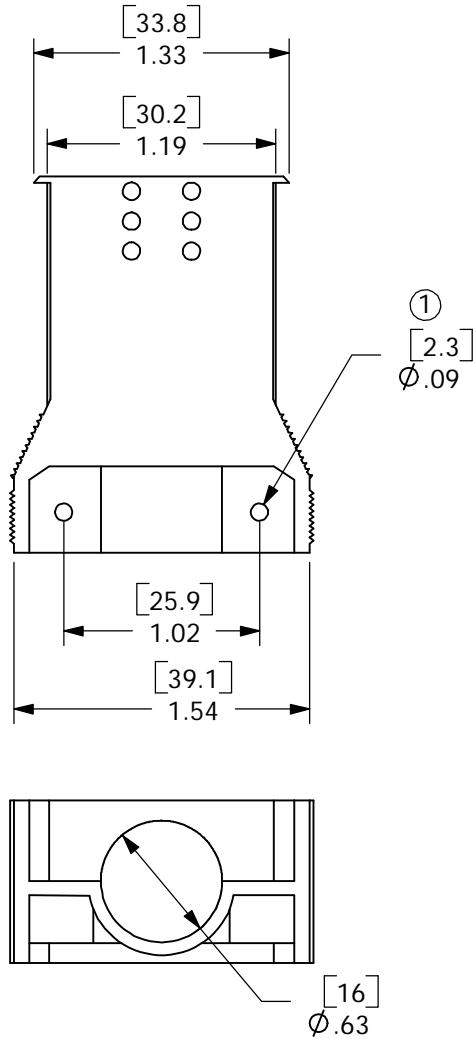
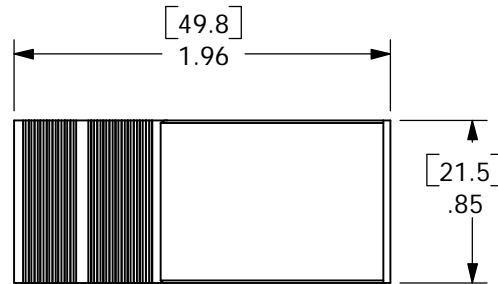


THE INFORMATION CONTAINED IN THIS DRAWING IS THE SOLE PROPERTY OF ANDERSON POWER PRODUCTS. ANY REPRODUCTION IN PART OR WHOLE WITHOUT THE WRITTEN PERMISSION OF ANDERSON POWER PRODUCTS IS PROHIBITED.

DATE	12/16/04
BY:	DJD
DESCRIPTION OF CHANGES	ECRN 13769: $\phi$ .09 WAS $\phi$ .08
REV.	1



TYPICAL ASSEMBLY- REFER TO CATALOG FOR AVAILABLE CONFIGURATIONS



ITEM NO.	PART OR IDENTIFYING NO.	NOMENCLATURE OR DESCRIPTION	MATERIAL SPECIFICATION	QTY REOD
COPYRIGHT 1999 ANDERSON POWER PRODUCTS. ALL RIGHTS RESERVED. UNAUTHORIZED REPRODUCTION HEREBY PROHIBITED.				
DIMENSIONS ARE IN INCHES DIMENSIONS IN PARENTHESES [ ] ARE IN MILLIMETERS		CAD GENERATED DRAWING, DO NOT MANUALLY UPDATE	ANDERSON POWER PRODUCTS	
TOLERANCES ARE: 2PL- $\pm$ .02 [ $\pm$ .5 ]		APPROVALS	DATE	
MATERIALS: POLYCARBONATE		DRAWN	CMS	8/4/99
FINISH NONE		CHECKED	DJD	8/5/99
NEXT ASSY		RESP ENG	UFN	8/13/99
USED ON		MFG ENG	CHB	8/5/99
APPLICATION		QUAL ENG	RO	8/10/99
DO NOT SCALE DRAWING			SIZE A	SPECIFICATION: 114166S2
			SCALE NONE	REV. 1
			CADFILES/01092	SHEET 1 OF 1