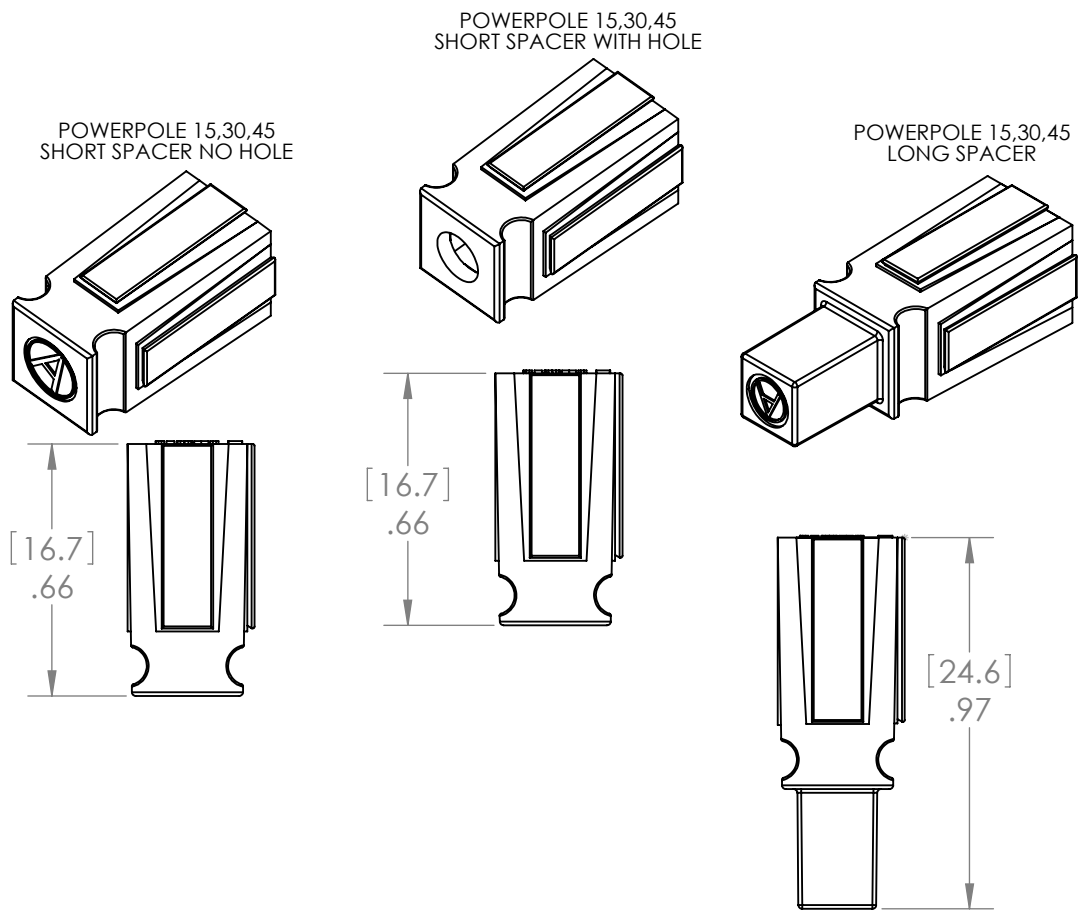
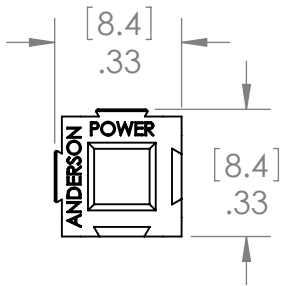


THE INFORMATION CONTAINED IN THIS DRAWING IS THE SOLE PROPERTY OF ANDERSON POWER PRODUCTS. ANY REPRODUCTION IN PART OR WHOLE WITHOUT THE WRITTEN PERMISSION OF ANDERSON POWER PRODUCTS IS PROHIBITED.

Copyright 2010

ANDERSON POWER PRODUCTS RESERVES THE RIGHT TO ALTER PRODUCT TYPES, THEIR TECHNICAL DATA, DIMENSION, STYLE AND ACCESSORIES WITHOUT PRIOR NOTIFICATION.



POWERPOLE 15/30/45 LONG SPACER	
CATALOG NUMBER	COLOR
1399G2	RED
1399G10	BLACK
1399G17	WHITE
1399G19	GRAY

POWERPOLE 15/30/45 SHORT SPACER		
CATALOG NUMBER	COLOR	HOLE
1399G1	RED	YES
1399G6	RED	NO
1399G13	BLUE	NO
1399G14	WHITE	YES
1399G16	GRAY	YES

NOTES:

1. THESE SPACERS ARE INTENDED TO PROVIDE A KEYING FEATURE TO POWERPOLE ARRAYS. A SHORT SPACER ON ONE HALF OF THE MATED PAIR AND A LONG SPACER ON THE OTHER HALF OF THE MATED PAIR CREATE THE POLARIZED KEY.

REV.	DESCRIPTION	APPRV	DATE
8	ECRN-14998	TWE	10/24/11
7	ECRN 14801: UPDATED DRAWING	JHN	12/17/2010
6	ECRN 14727: ADDED BLUE SPACER 1399G13	LLD	10/5/10
5	ECRN 13506 : ADDED 1399G6	CMS	08/01/2002
4	UPDATED TO CAD PER ECRN 13104	CGC	08/13/1998
REVISIONS			

DIMENSIONS ARE IN:	INCH [MM]	APPROVALS		ANDERSON POWER PRODUCTS TITLE CATALOG NUMBER 1399 SERIES POWERPOLE® 15/30/45 SERIES SHORT AND LONG SPACERS
UNLESS OTHERWISE STATED		DRAWN	10/2/1978	
TOLERANCES:		CHECKED	10/12/1978	
DECIMALS (INCH)	DECIMALS (MM)	DWR		
.XX ±.02	.X ±.5	ANGLES	±2°	
SURFACE FINISH:		MFG APPRV	10/12/1978	
MACHINED 128 [3.2] ✓		JGF		
MOLDED 64 [1.6] ✓		QC APPRV		
MATERIAL:		ENG APPRV		
POLYCARBONATE UL 94V-0.		-		
FINISH:		SIZE	DWG NO.	REV.
AS MOLDED		A	112530S1	8
3rd ANGLE PROJECTION		-CAD GENERATED DRAWING- DO NOT MANUALLY UPDATE DO NOT SCALE	SCALE	CADFILE
		NONE	00864	SHEET
				1 OF 1