



E92001

E92002

WORKLAMPS

Beacons | Lightbars | Minibars | Directional LEDs | Back-Up Alarms | Camera Systems

E92001 SERIES

Oval LED

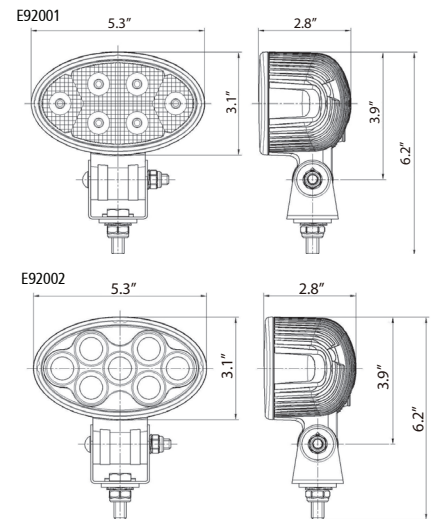
E92001 & E92002 worklamps offer the latest technology and the very brightest white light for your application. Featuring 12-24 VDC operation, IP67 protection rating and available in spot or flood beam patterns, these LED models offer over 80,000 hours of maintenance free life expectancy coupled with extremely low amp draw.

Models

PART NO.	VOLTAGE	AMPS	RAW LUMENS	EFFECTIVE LUMENS	TYPE
E92001	12-24	0.7	550	550	Flood
E92002	12-24	0.9	650	600	Spot

Features and Benefits

- Six or seven 3-watt LEDs
- 12-24 VDC
- Aluminum heatsink housing
- ABS reflector and polycarbonate lens
- Steel mounting bracket
- IP Rating 67
- CE, R10
- Warranty: 3 years



Beam Pattern

